


**Table of Contents**

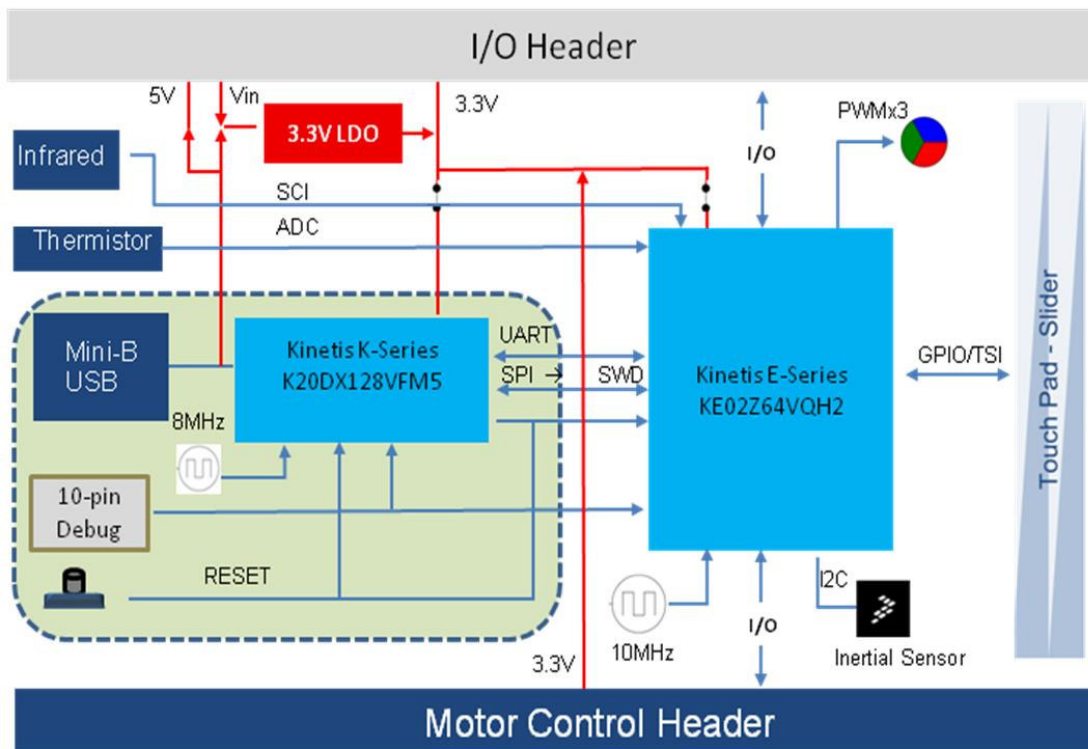
1	Title
2	Block Diagram
3	KE02Z MCU
4	OpenSDA INTERFACE
5	I/O Headers and Power Supply

**Revisions**

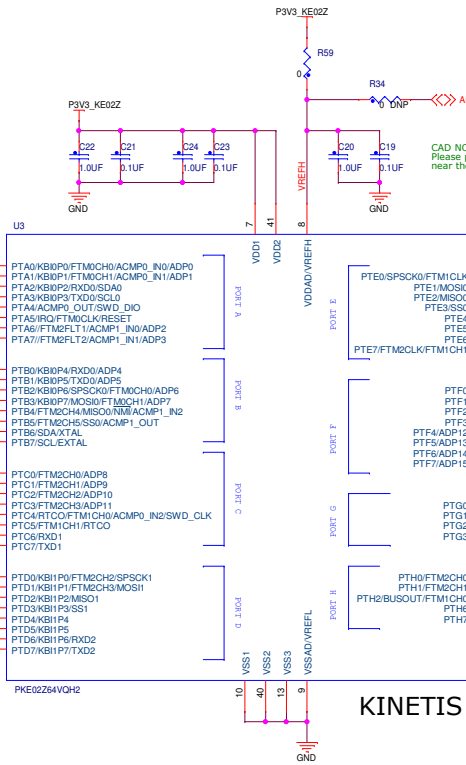
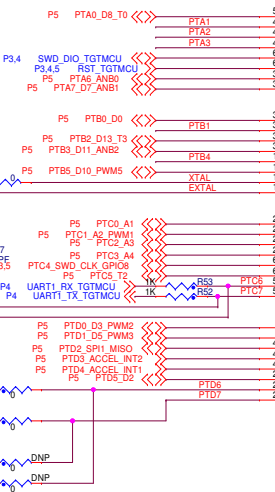
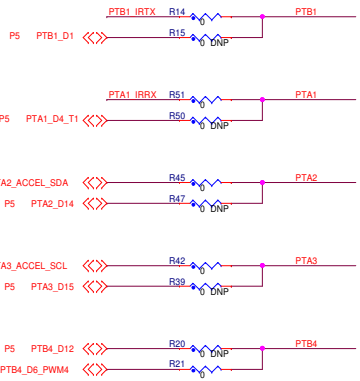
Rev	Description	Date	Approved
X1	Initial Draft	02/01/13	
A	<ol style="list-style-type: none"> <li>Remove Motor Control Connector J12</li> <li>Remap J1, J2, J9, J10 pinout</li> <li>Add one series resistor R31 on Y1</li> <li>Add J5, R35 to isolate OpenSDA and target MCU on net RST_TGTMCU to avoid voltage drop</li> <li>Add R13 to bypass voltage drop on D2</li> <li>Add R11 (100ohm) to support current measuring</li> <li>Change BAT54C (D2, D3, D6) to MBR120VLSFT1G diodes (D2, D8, D3, D7, D6) to enhance VF curve and current capability.</li> <li>Add R59 (0 ohm) to separate net P3V3_KE02Z and VREFH</li> </ol>	03/05/13	

# FREEDOM KE02Z

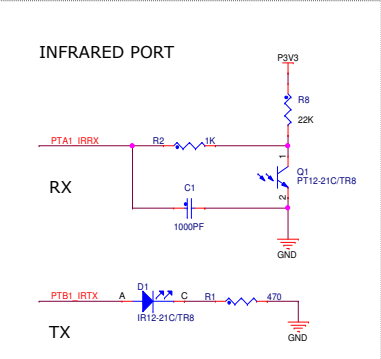
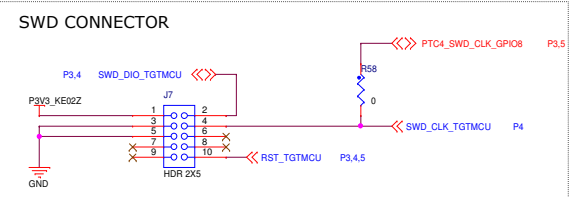
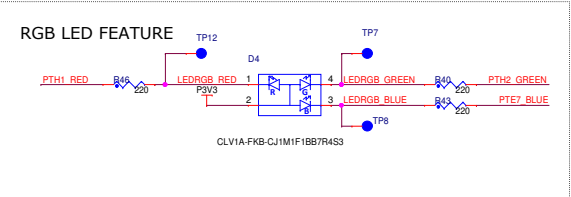
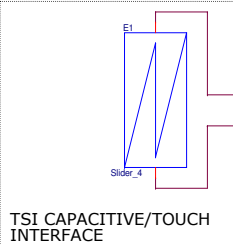
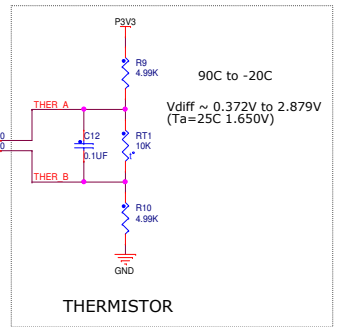
		<b>Automotive, Industrial &amp; Multi-Market Solutions Group</b> 6501 William Cannon Drive West Austin, TX 78735-6598	
ICAP Classification: FCP: FLUQ: PUB: X			
Designer:		<b>FRDM-KE02Z</b>	
Drawn by:		<b>TITLE PAGE</b>	
Approved:		Size C Document Number SCH-27836 PDF: SPF-27836 Rev A	
Date: Monday, March 18, 2013		Sheet 1 of 5	

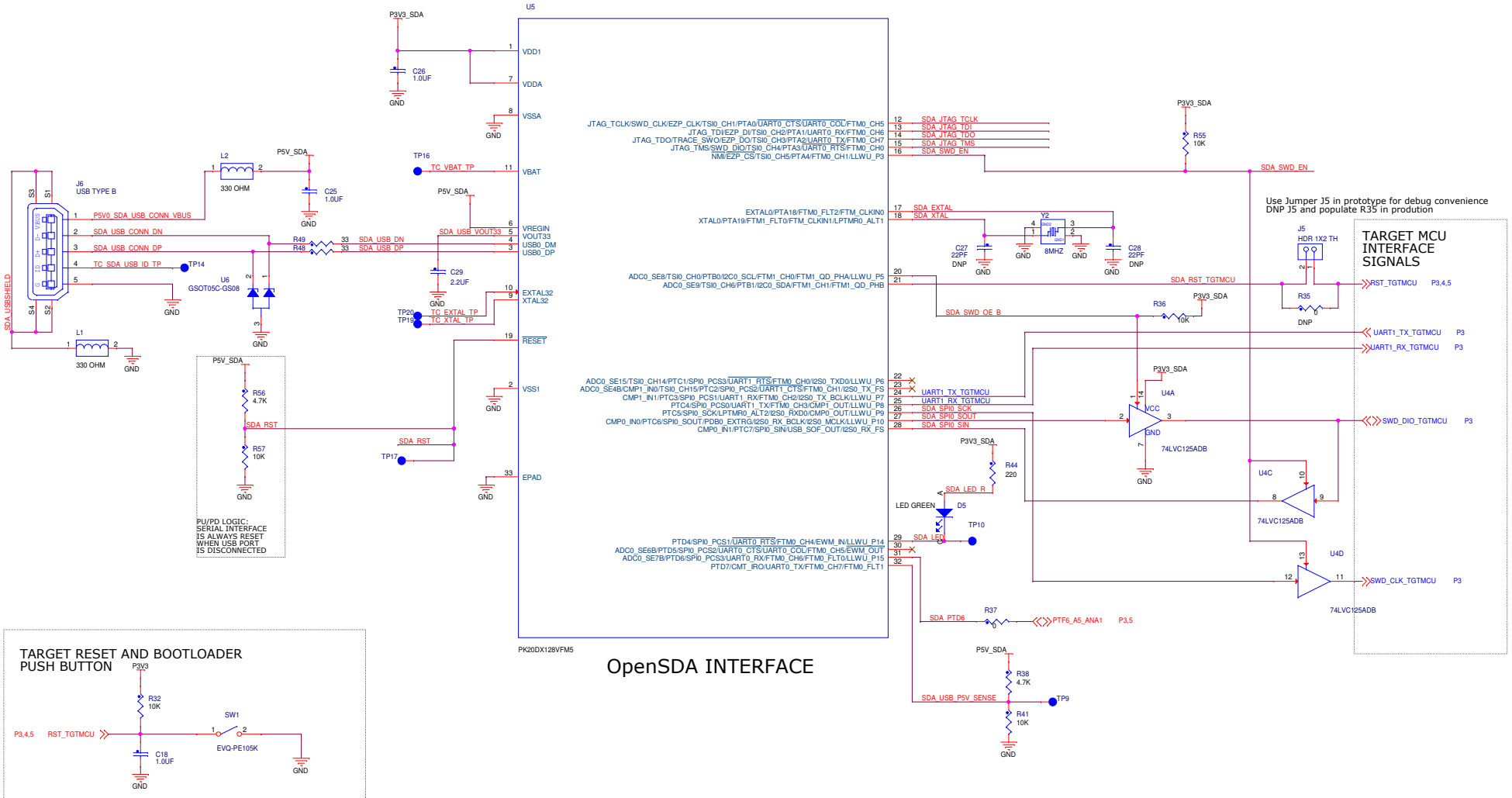


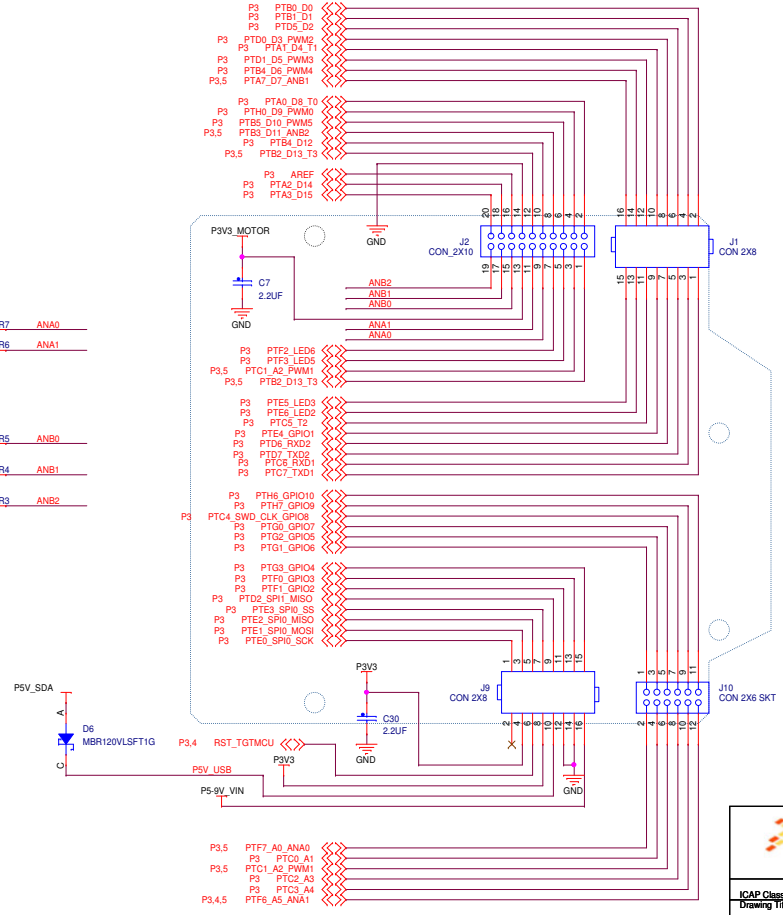
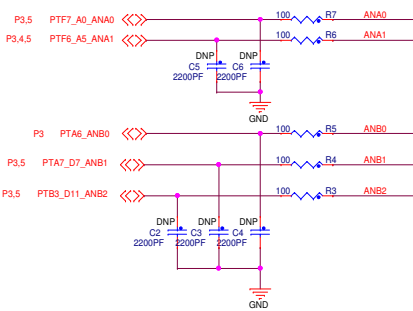
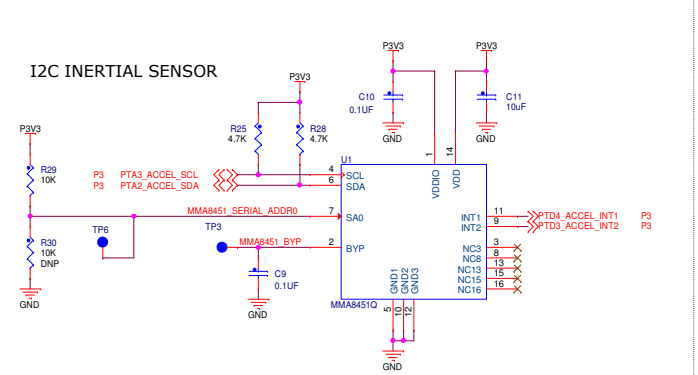
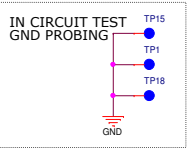
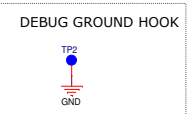
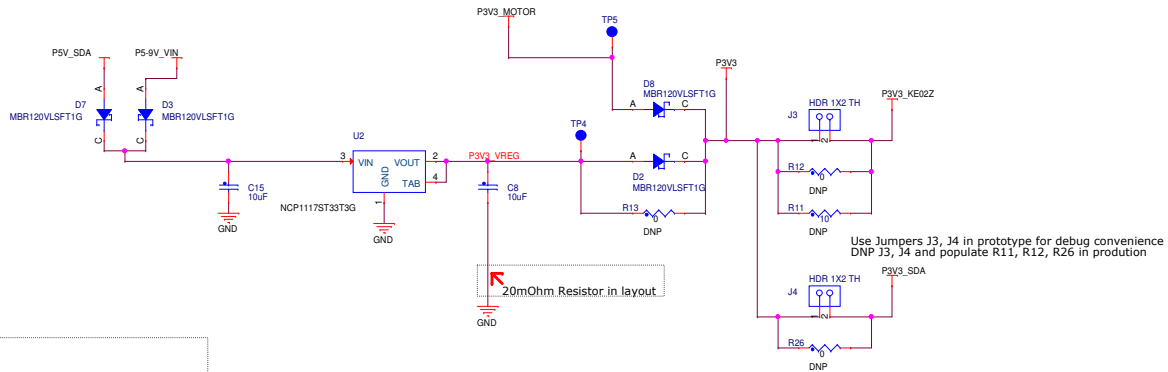
Indicates optional items that will not be populated by default



CAD NOTE:  
Please place these capacitors  
near their respective CPU pin VDD







**freescale**

ICAP Classification: FCP: FIUC: PUB: X  
 Drawing Title: **FRDM-KE02Z**  
 Page Title: **I/O HEADERS & PWR SUPPLY**

Size C	Document Number SCH-27836 PDF: SPF-27836	Rev A
--------	--	-------

Date: Monday, March 18, 2013 Sheet 5 of 5