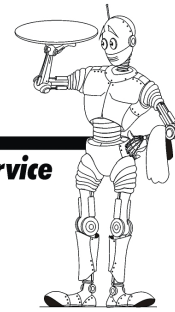


La robotique à votre service

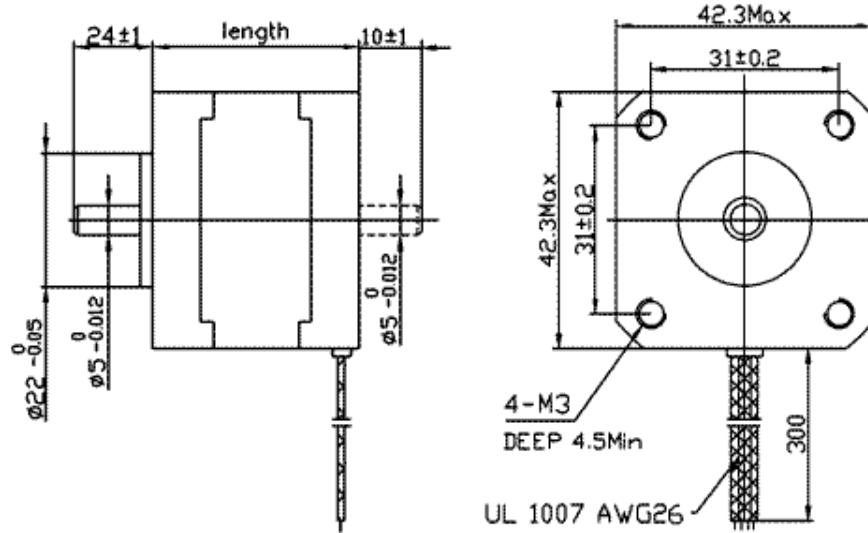


Soyo 4V 1.2A 36oz-in Unipolar Stepper Motor Specifications:

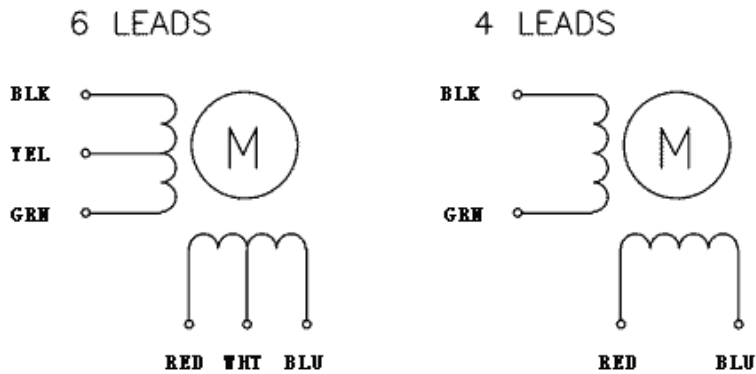
Item	Specifications
Step Angle	1.8°
Step Angle Accuracy	±5% (full step, no load)
Resistance Accuracy	±10%
Inductance Accuracy	±20%
Temperature Rise	80°C Max.(rated current,2 phase on)
Ambient Temperature	-20°C~+50°C
Insulation Resistance	100M Ω Min. ,500VDC
Dielectric Strength	500VAC for one minute
Shaft Radial Play	0.02Max. (450 g-load)
Shaft Axial Play	0.08Max. (450 g-load)
Max. radial force	28N (20mm from the Flange)
Max. axial force	10N
Rotation	CW(See from Front Flange)

Model No.	Rated Voltage	Current /Phase	Resistance /Phase	Inductance /Phase	Holding Torque	# of Leads	Rotor Inertia	Weight	Detent Torque
Single Shaft	V	A	Ω	mH	Kg-cm		g-cm ²	kg	g-cm
SY42STH38-1206A	4	1.2	3.3	3.2	2.6	6	54	0.28	150

Dimensions :



Wiring Diagram :



Operating Curve :

