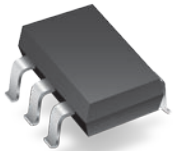


Ethernet ESD Protection

Solution Products



CDSOT236-0504C

Companion Products



PT61020L
Quad Transformer

Design Kit



PN-DESIGNKIT 1

Objective

Ethernet interfaces are 2V digital signals operating on a 125 MHz clock. This port commonly requires protection in indoor, short-cable applications where ESD is the primary threat.

Solution

2 TVS Diode Arrays: CDSOT236-0504C

Compliance

IEC 61000-4-2 Level 4 (8 kV / 15 kV)

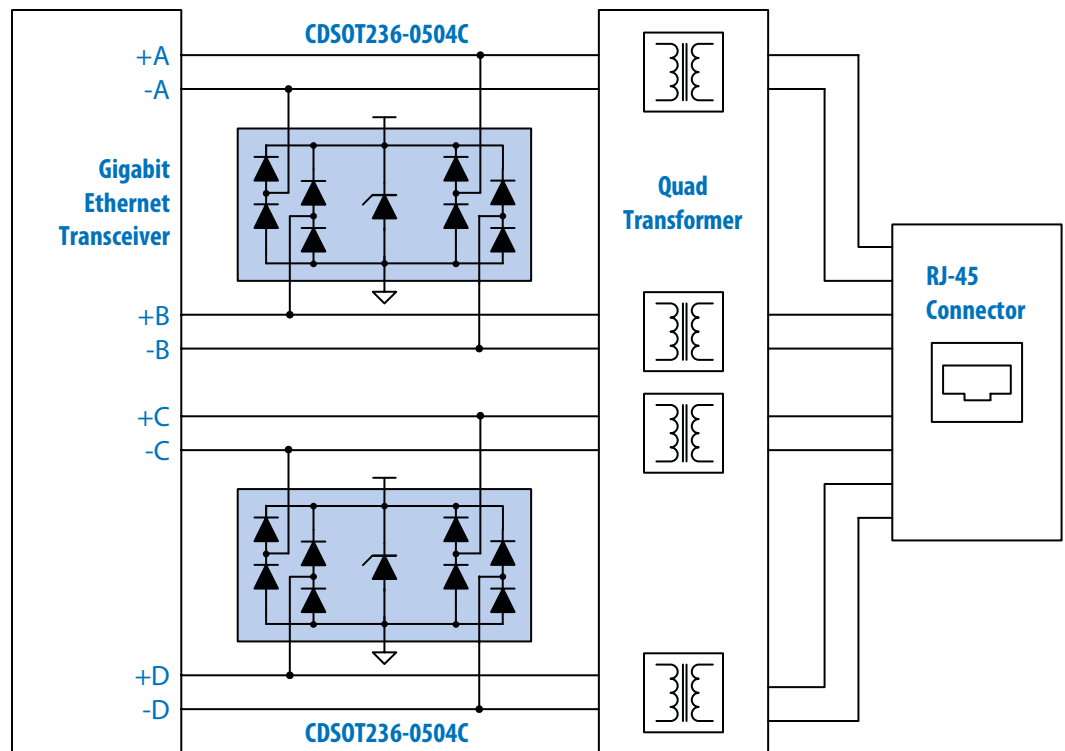
Alternate Recommendations

Other PortNote™ solutions:

- Ethernet: ESD and Surge Protection
- Ethernet: PoE Protection

Benefit

This solution provides ESD protection without impairing the Ethernet signal.



The schematic above illustrates the application protection and does not constitute the complete circuit design. Customers should verify actual device performance in their specific applications.