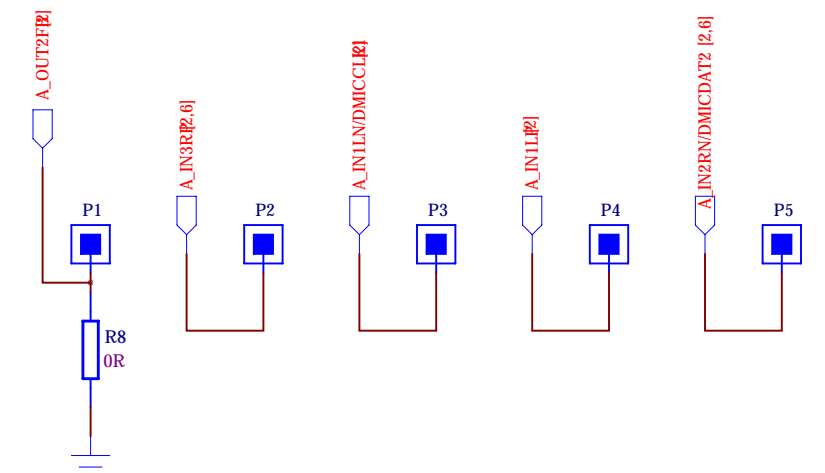
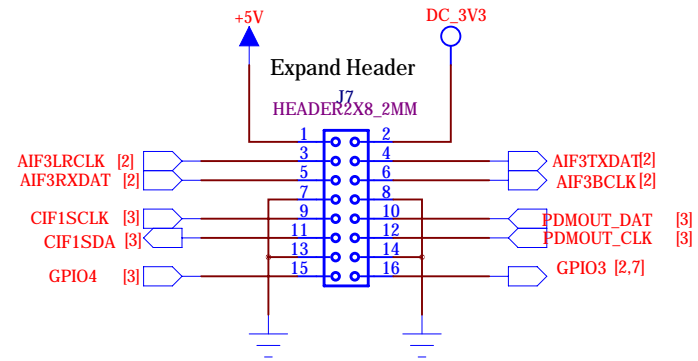
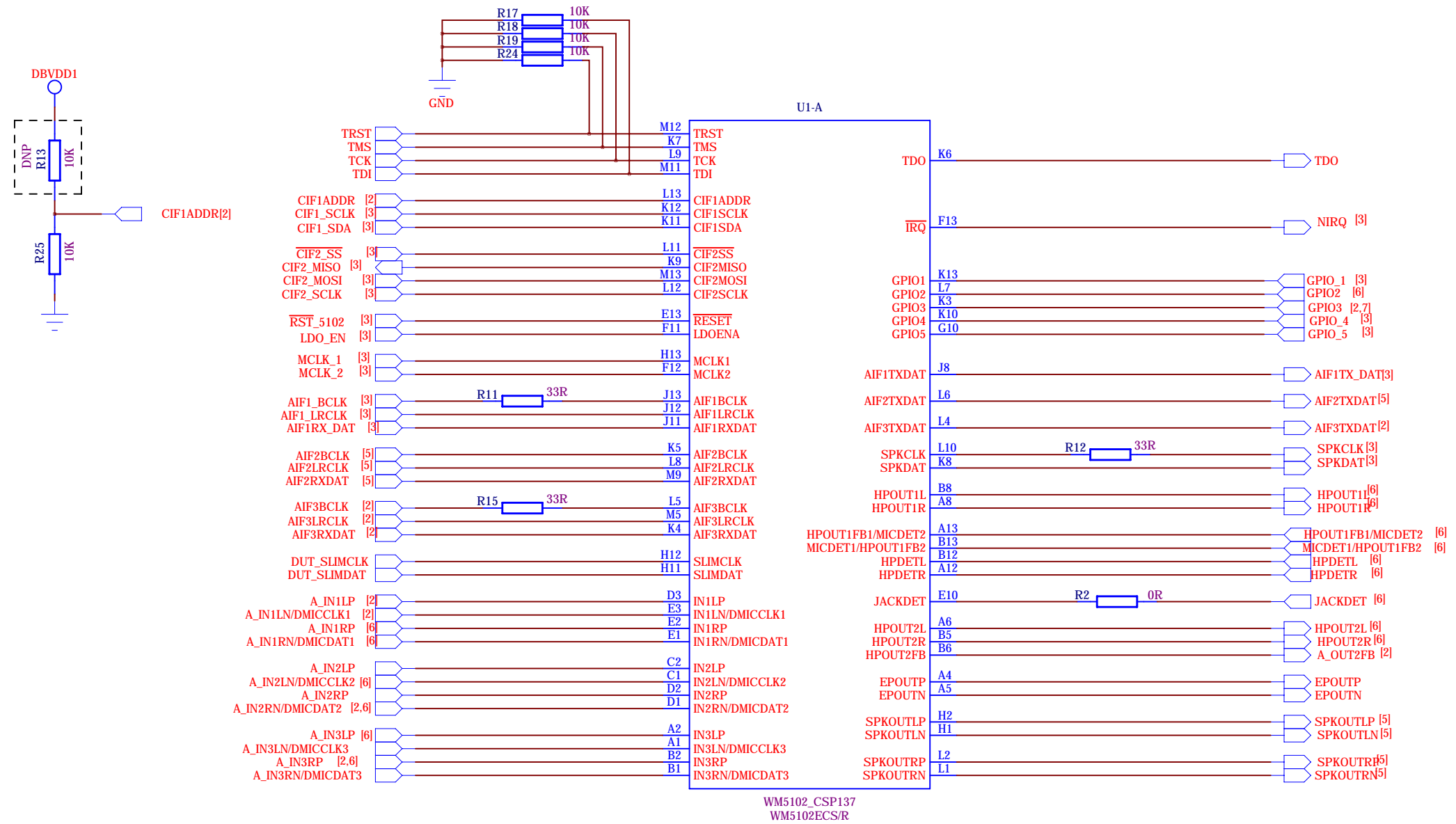
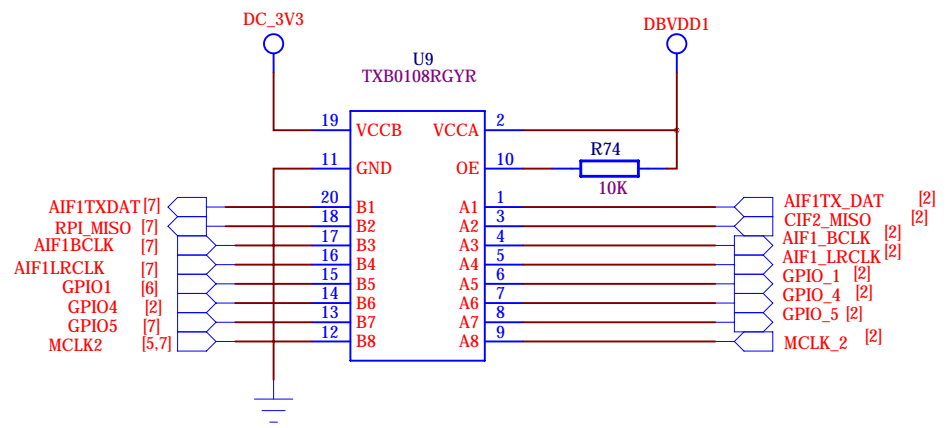
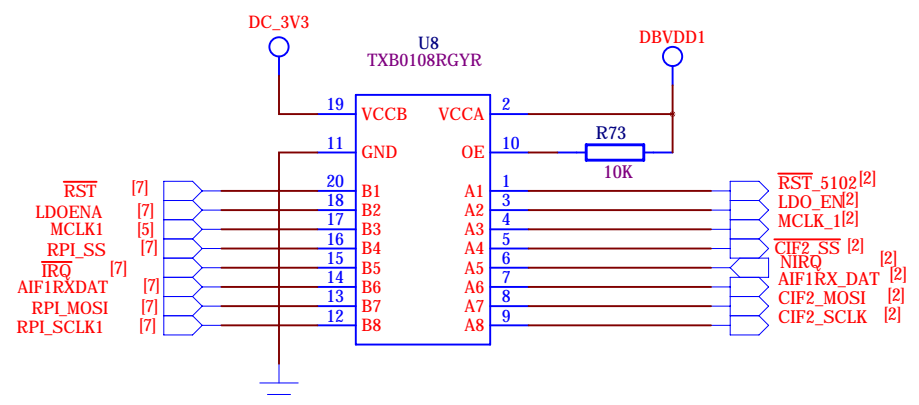
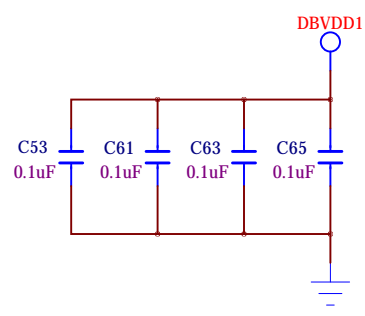
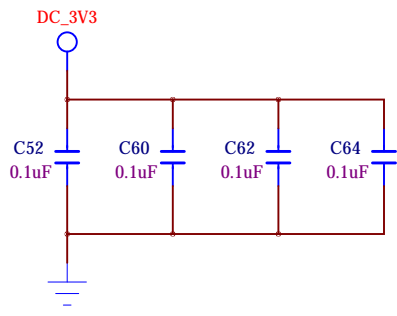
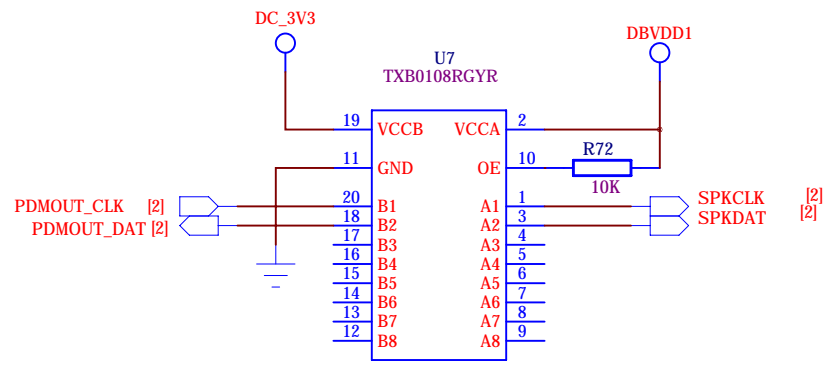
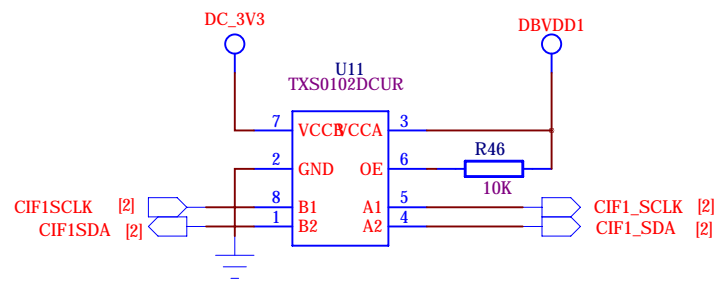


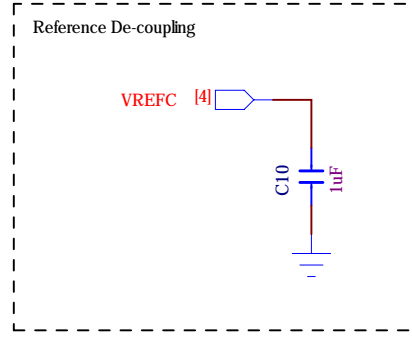
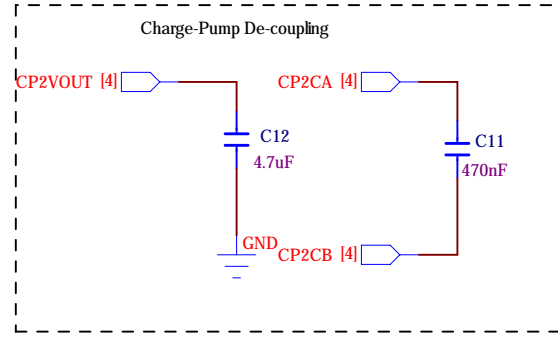
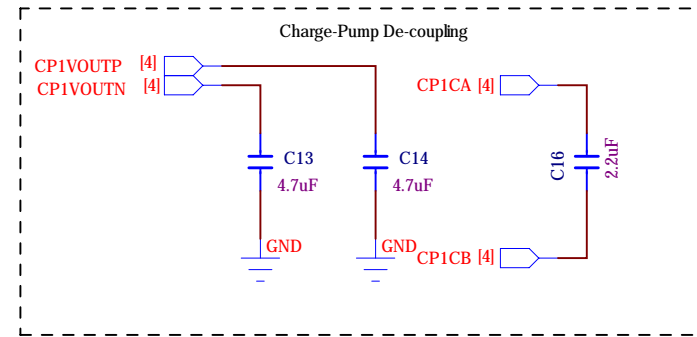
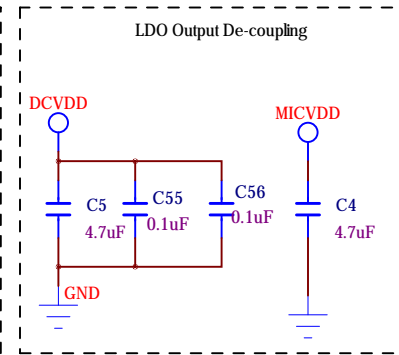
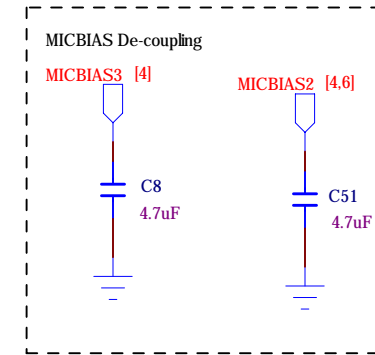
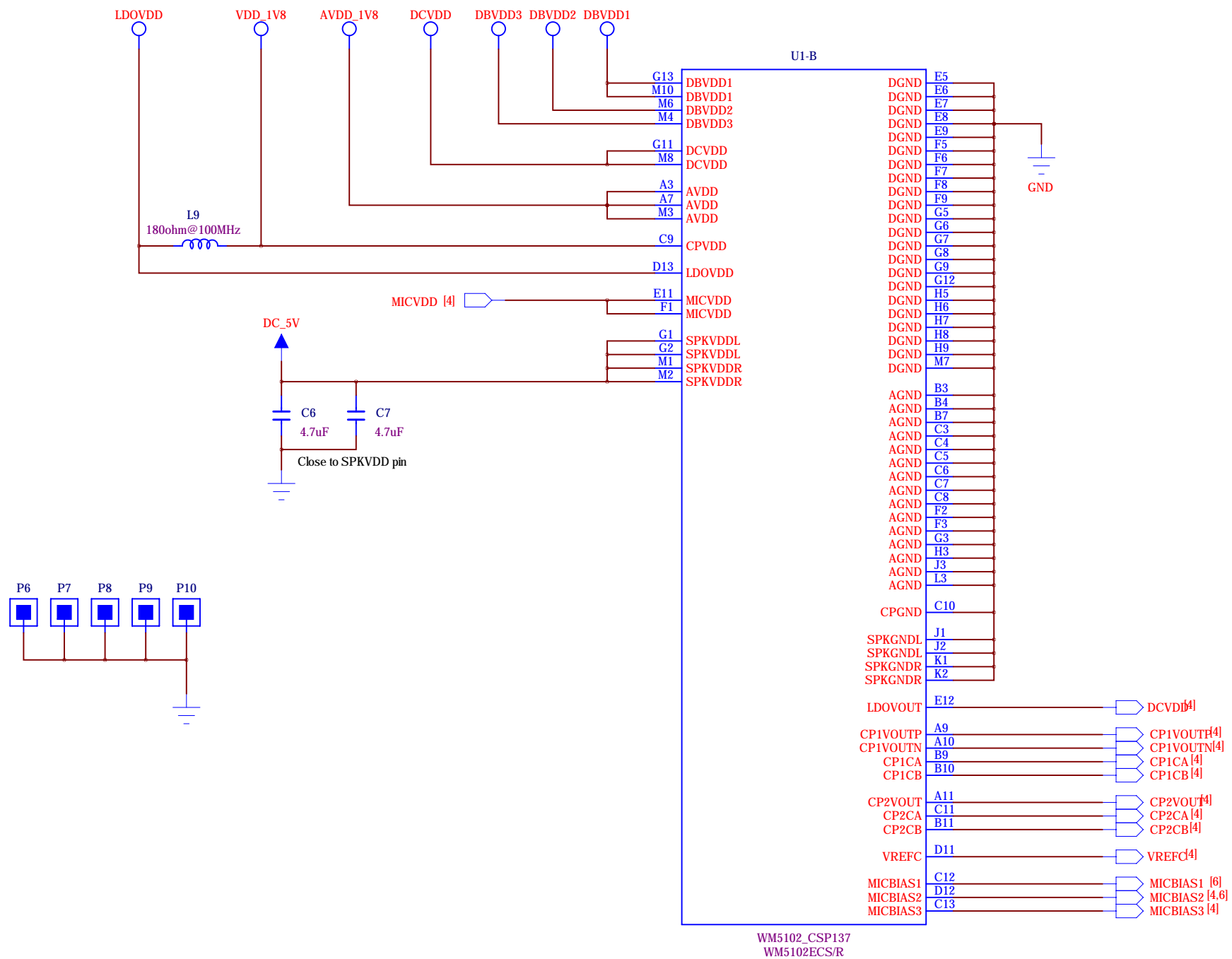
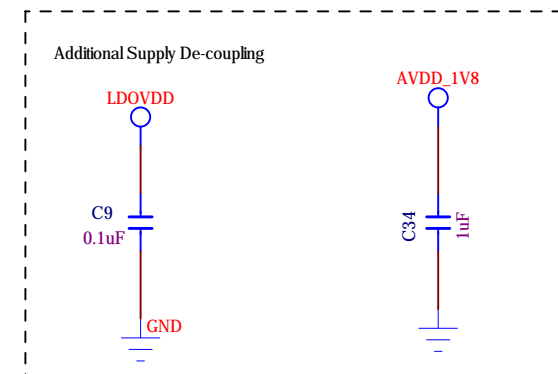
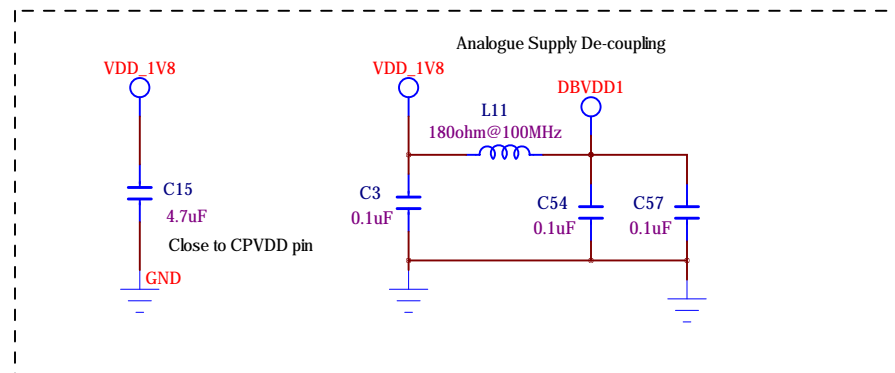
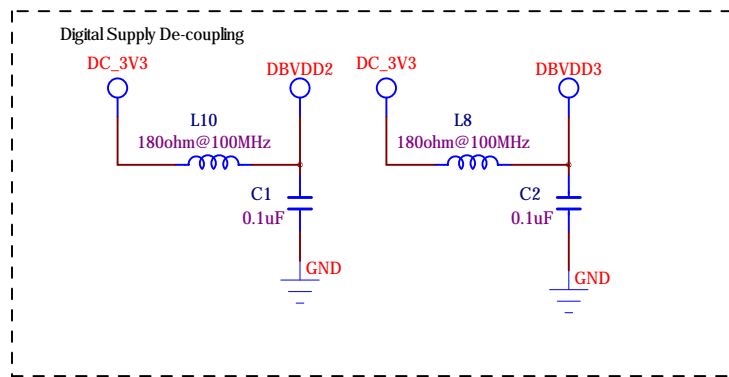
COMPANY: <b>Embest</b>		
TITLE: <b>Block Diagram</b>		
DRAWN:	CHECKED:	APPROVED:
REV: 1.01	DATE: 20130723	SHEET: 1 OF 1



COMPANY: <b>Embest</b>		
TITLE: <b>WM5102_I/O</b>		
DRAWN:	CHECKED:	APPROVED:
REV: 1.01	DATE: 20130723	SHEET: 1 OF 6

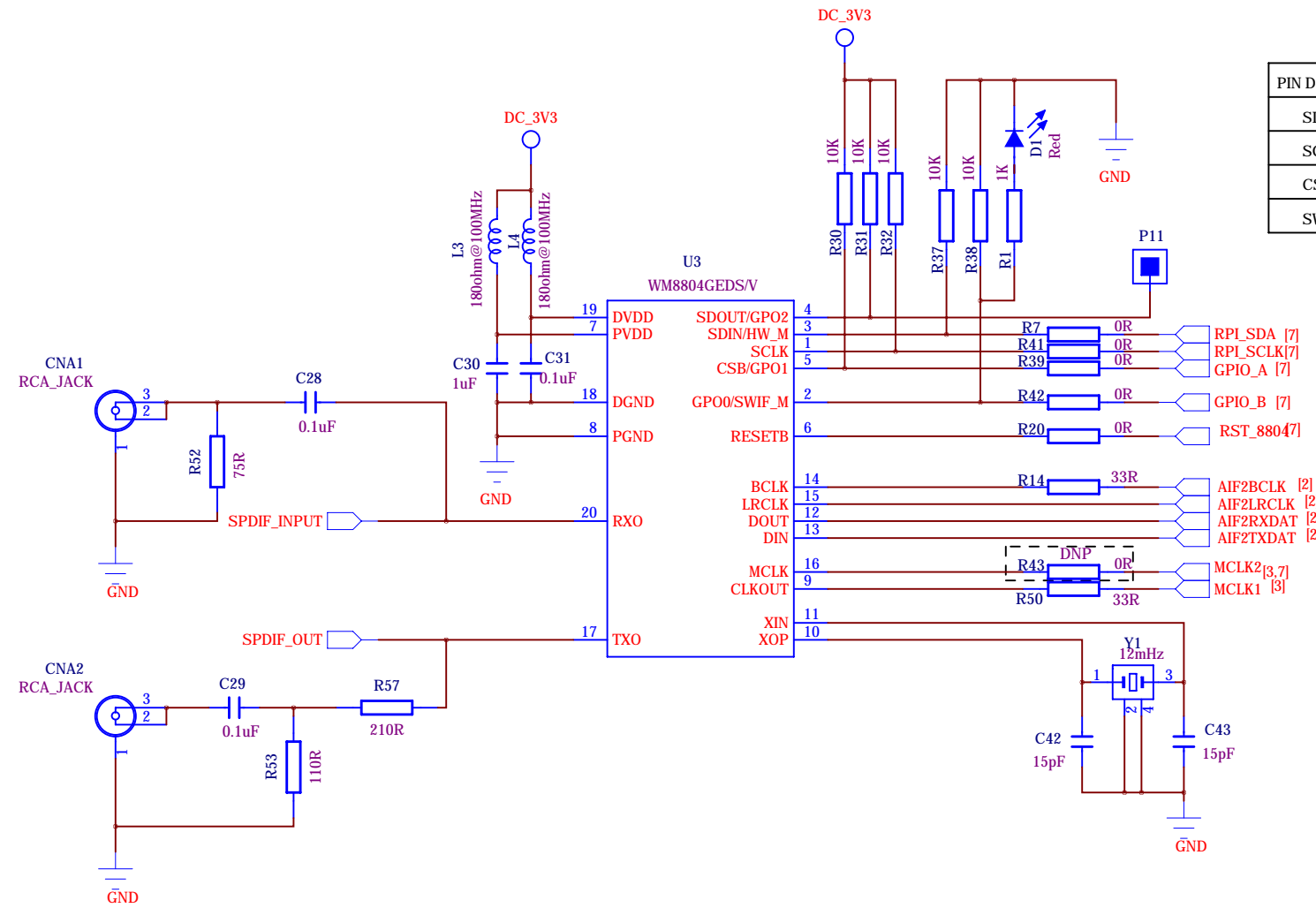
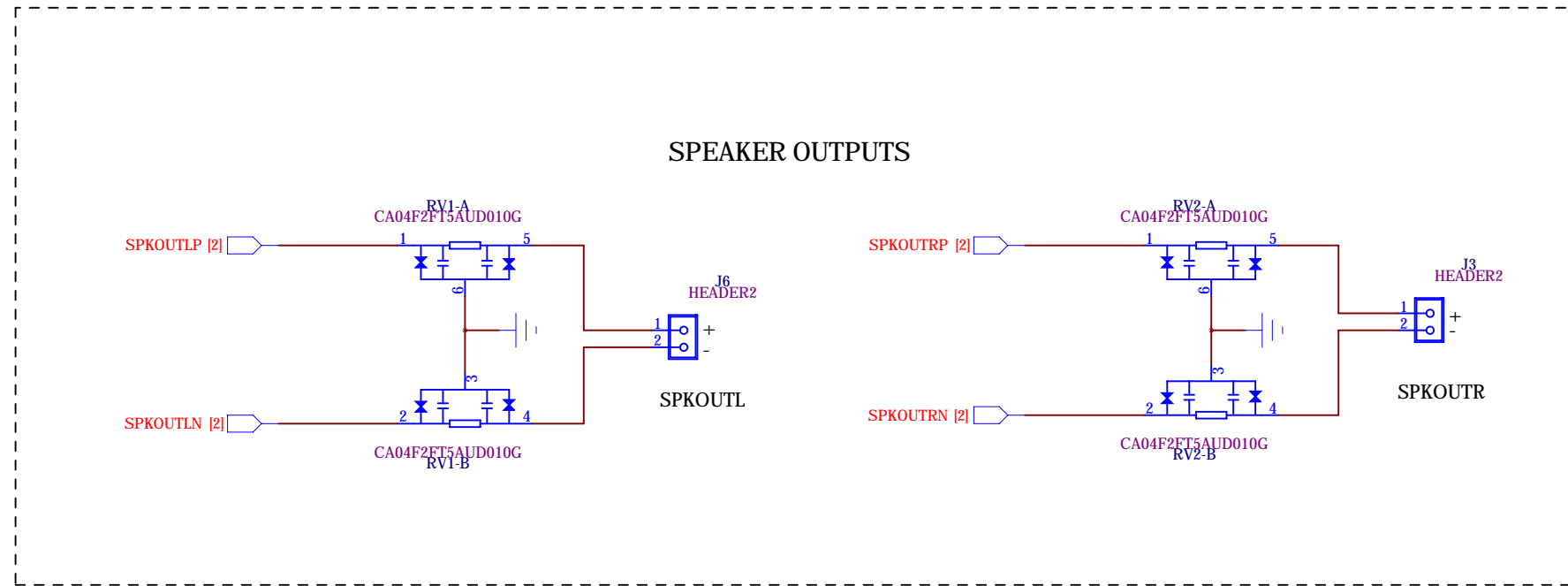


COMPANY: <b>Embest</b>		
TITLE: <b>WM5102_I/O</b>		
DRAWN:	CHECKED:	APPROVED:
REV: 1.01	DATE: 20130723	SHEET: 2 OF 6



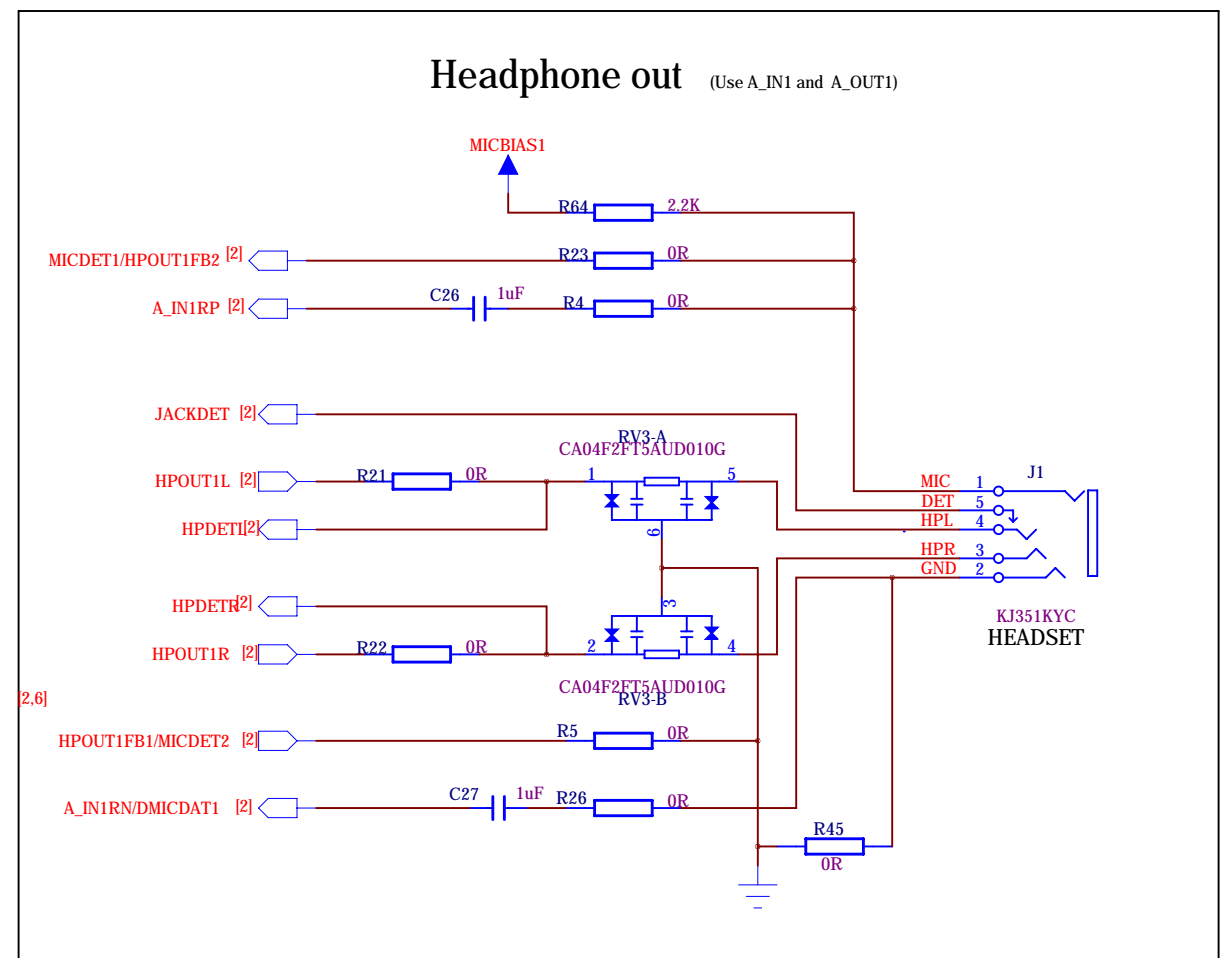
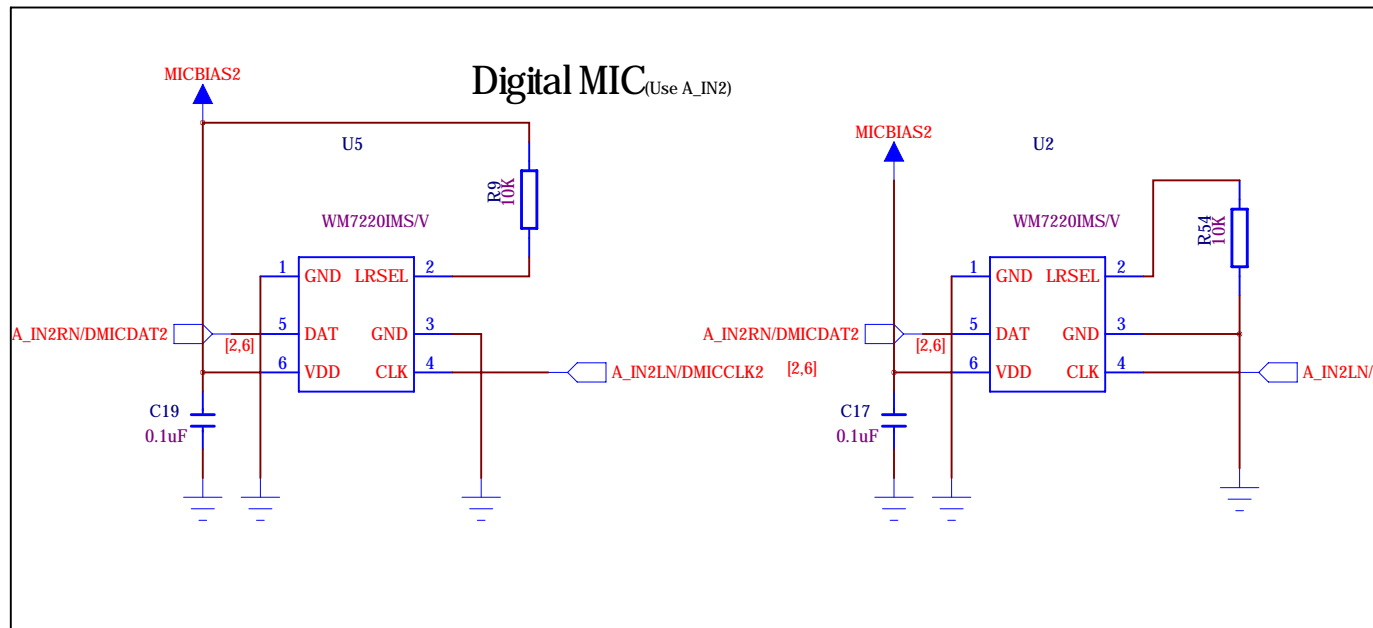
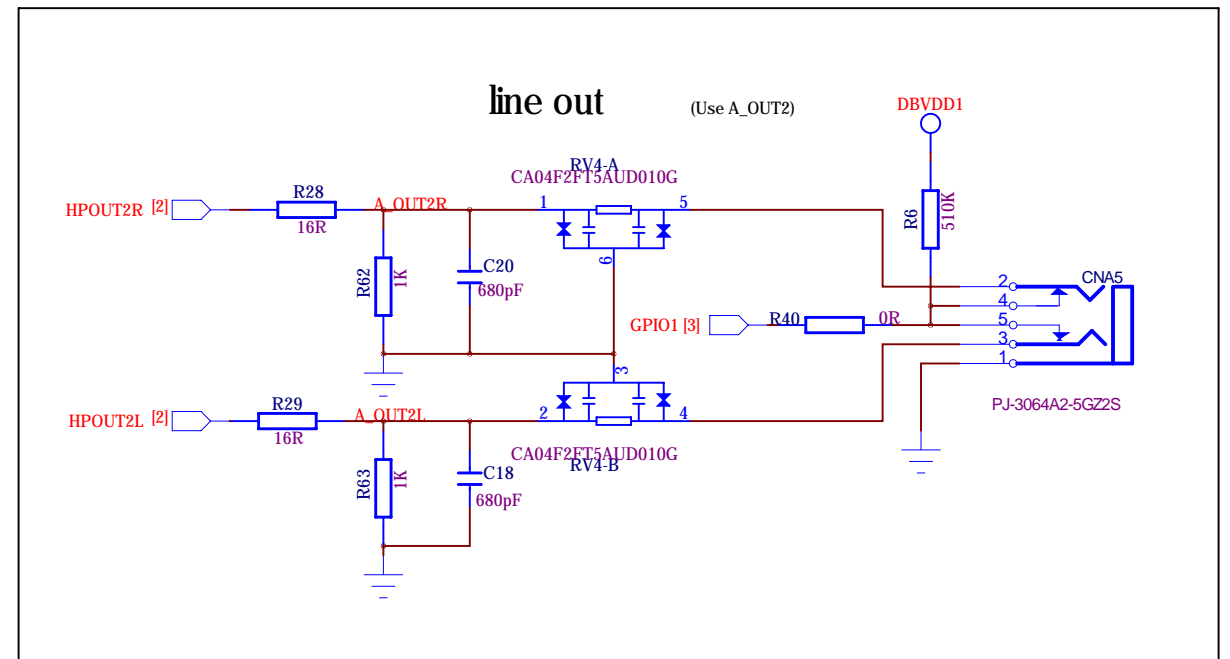
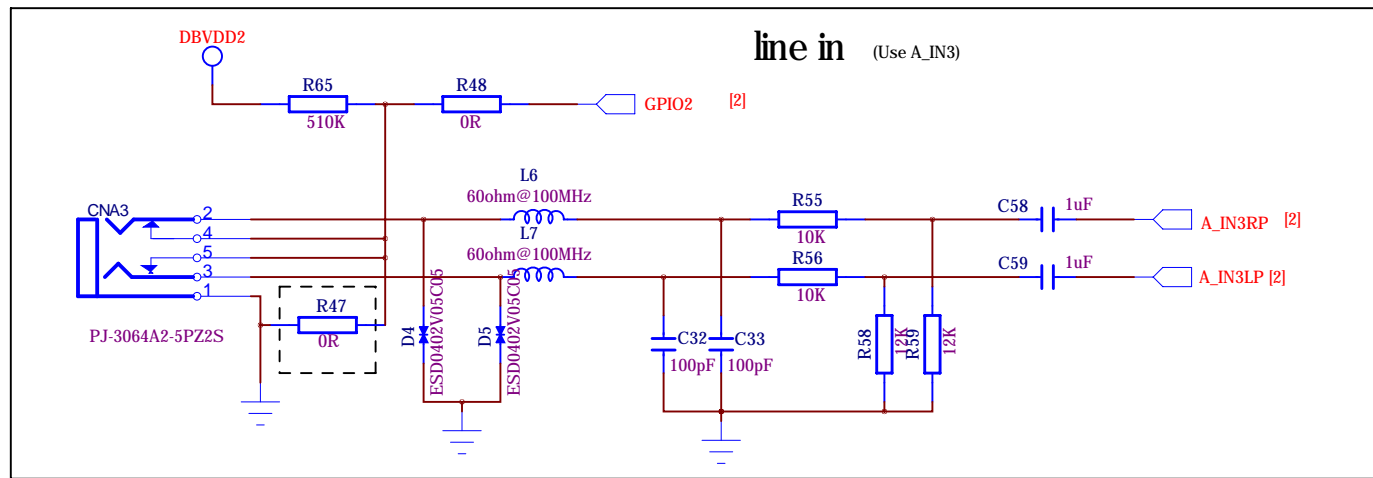
COMPANY: <b>Embest</b>		
TITLE: <b>WM5102_PWR</b>		
DRAWN:	CHECKED:	APPROVED:
REV: 1.01	DATE: 20130723	SHEET: 3 OF 6

### SPEAKER OUTPUTS

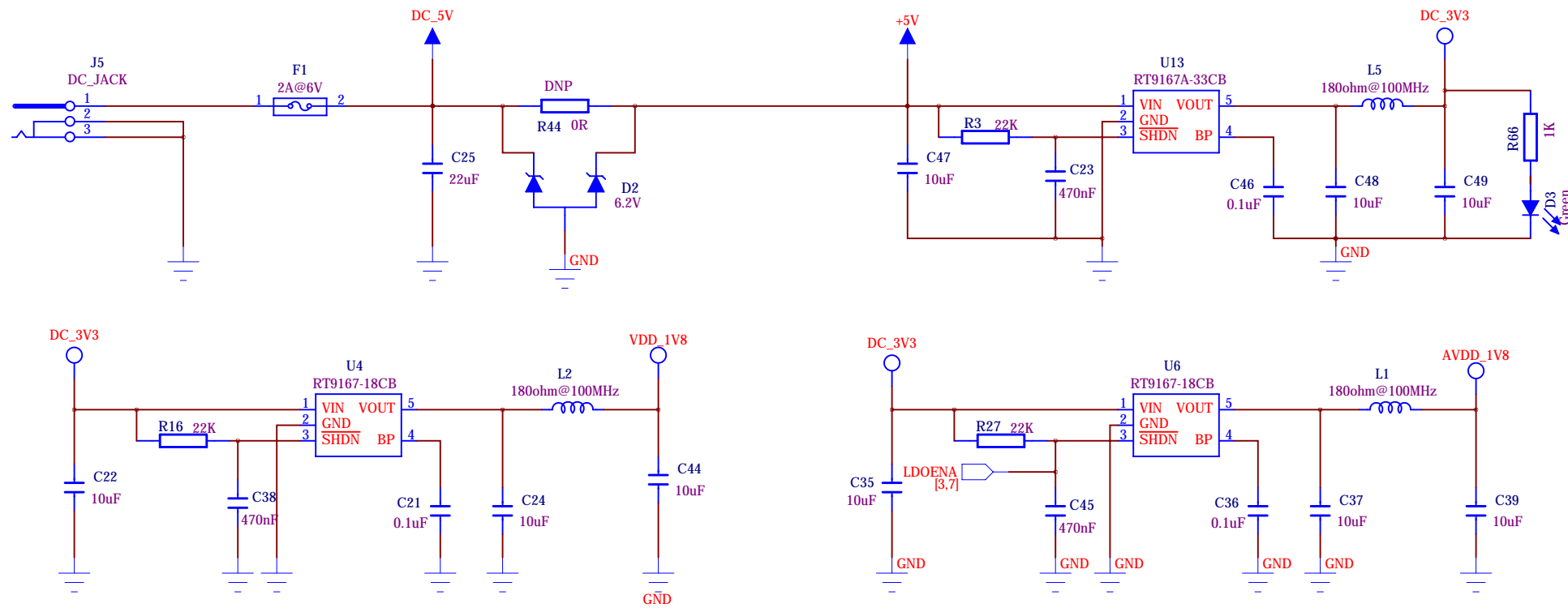


PIN Definition	0	1
SDIN(3)	HW_Mode	SW_Mode
SCLK(1)	Slave_Mode	Master_Mode
CSB(5)	S/PDIF Rx	AIF Rx
SWIF_M(2)	2_wire	3_wire

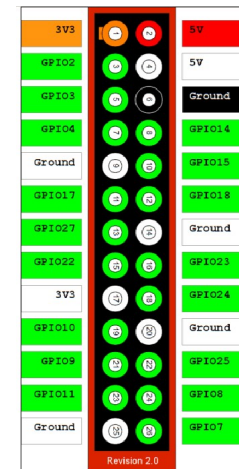
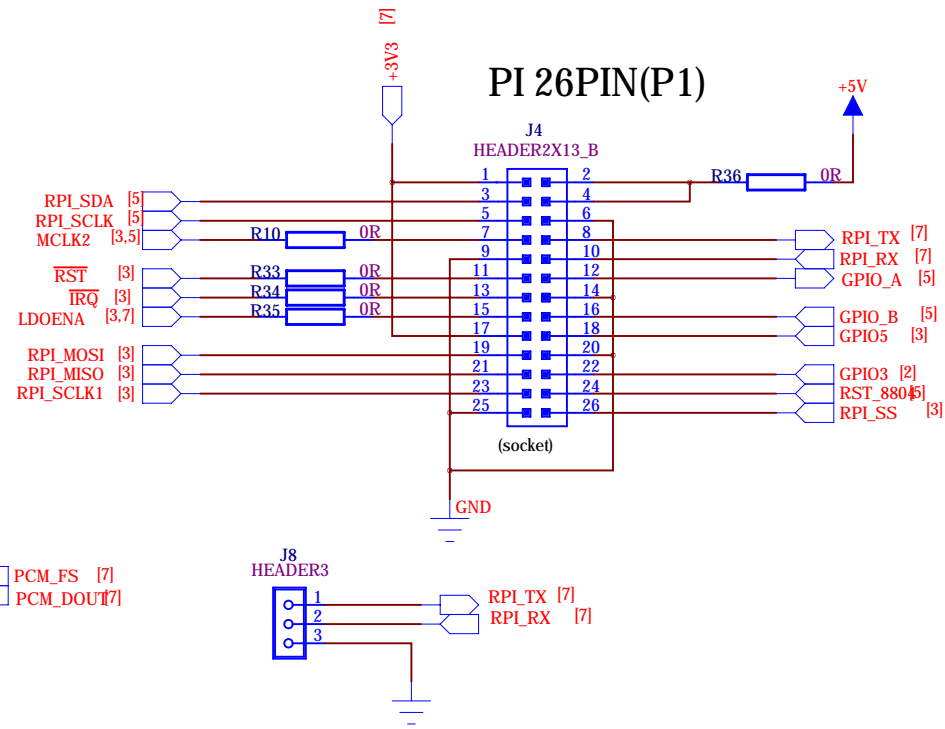
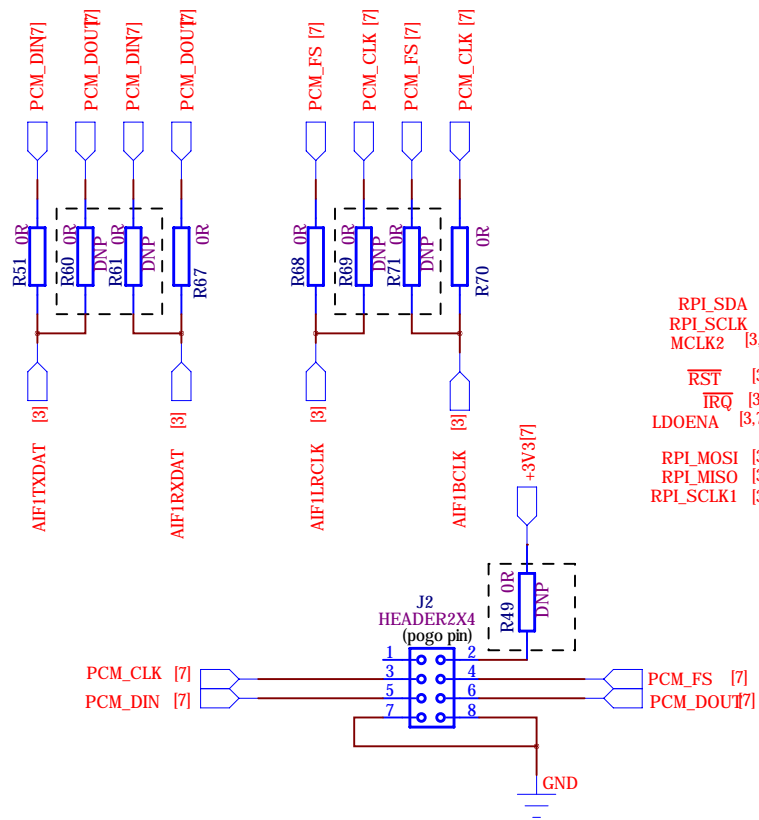
NOTE: DNP= Do Not Populated



COMPANY: <b>Embest</b>		
TITLE: <b>HEADSET_I/O</b>		
DRAWN:	CHECKED:	APPROVED:
REV: 1.01	DATE: 20130723	SHEET: 5 OF 6



RPI P5 Connection		
Pin 3	GPIO28	PCM_CLK
Pin 4	GPIO29	PCM_FS
Pin 5	GPIO30	PCM_DIN
Pin 6	GPIO31	PCM_DOUT



Raspberry Pi Connection

COMPANY: <b>Embest</b>		
TITLE: <b>POWER_PI_IO</b>		
DRAWN:	CHECKED:	APPROVED:
REV: 1.01	DATE: 20130723	SHEET: 6 OF 6